



Advanced Card Systems Limited

Card and Reader Technologies

A background image showing a person's hands using a card reader. The person is wearing a blue wristband and is holding a card. The card reader is a white device with a slot for the card. The image is slightly blurred and has a semi-transparent white box overlaid on it.

REFERENCE MANUAL

ACR30





Table of Contents

- 1.0. Introduction 5**
- 2.0. Features 6**
- 3.0. Supported Card Types..... 7**
 - 3.1. Memory-based smart cards (synchronous interface) (*)7
 - 3.2. Microcontroller-based smart cards (asynchronous interface)7
- 4.0. Smart Card Interface..... 8**
 - 4.1. Smart Card Power Supply VCC (C1)8
 - 4.2. Programming Voltage VPP (C6).....8
 - 4.3. Card Type Selection8
 - 4.4. Interface for Microcontroller-based Cards8
 - 4.5. Card Tearing Protection.....8
- 5.0. Power Supply 9**
- 6.0. Serial Interface 10**
 - 6.1. Communication Parameters 10
 - 6.1.1. Hardware Baud Rate 10
 - 6.1.2. Software Baud Rate Selection 10
 - 6.2. Interface Wiring..... 10
- 7.0. USB Interface..... 12**
 - 7.1. Communication Parameters 12
- 8.0. Communication protocol..... 13**
 - 8.1. Command 13
 - Normal Command (Length < 255 bytes) 13
 - 8.1.1. Extended Command 13
 - 8.2. Response..... 14
 - 8.2.1. No transmission error with normal response (Length < 255 bytes) 14
 - 8.2.2. No transmission error with extended response 15
 - 8.2.3. Transmission error 16
 - 8.3. Reset Message 16
 - 8.4. Card Status Message 16
 - 8.5. Transmission Protocol 17
- 9.0. Commands..... 19**
 - 9.1. Control Commands..... 19
 - 9.1.1. GET_ACR_STAT 19
 - 9.1.2. SET_PROTOCOL..... 20



9.1.3.	SELECT_CARD_TYPE	21
9.1.4.	RESET	21
9.1.5.	SET_NOTIFICATION.....	22
9.1.6.	SET_OPTION	22
9.2.	Card Commands.....	23
	'104' - type non-reloadable Token Counter Cards (*).....	23
9.2.1.1.	RESET (*).....	23
9.2.1.2.	POWER_OFF (*).....	24
9.2.1.3.	READ_DATA (*).....	24
9.2.1.4.	WRITE_DATA (*)	24
9.2.1.5.	PRESENT_TRANSPORT_CODE (*).....	25
9.2.1.6.	AUTHENTICATE_CARD_SLE4436 (firmware 2.10 onwards) (*).....	26
9.2.1.7.	AUTHENTICATE_CARD_SLE5536 (firmware 2.10 onwards) (*).....	27
9.2.2.	I2C-Bus cards (standard and extended addressing) (*)	28
9.2.2.1.	RESET (*).....	28
9.2.2.2.	POWER_OFF (*).....	28
9.2.2.3.	READ_DATA (*).....	28
9.2.2.4.	WRITE_DATA (*)	29
9.2.3.	Siemens SLE 4432/4442 intelligent 256 Byte Memory Card (*).....	29
9.2.3.1.	RESET (*).....	29
9.2.3.2.	POWER_OFF (*).....	30
9.2.3.3.	READ_DATA (*).....	30
9.2.3.4.	WRITE_DATA (*)	31
9.2.3.5.	WRITE_PROTECTION (*)	31
9.2.3.6.	PRESENT_CODE (only SLE 4442) (*)	32
9.2.3.7.	CHANGE_CODE (only SLE 4442) (*).....	33
9.2.4.	Siemens SLE 4418/4428 intelligent 1K Byte Memory Card (*)	33
9.2.4.1.	RESET (*).....	33
9.2.4.2.	POWER_OFF (*).....	33
9.2.4.3.	READ_DATA (*).....	34
9.2.4.4.	WRITE_DATA (*)	35
9.2.4.5.	WRITE_PROTECTION (*)	35
9.2.4.6.	PRESENT_CODE (only SLE 4428) (*)	36
9.2.5.	MCU-based Card	36
9.2.5.1.	RESET	36
9.2.5.2.	POWER_OFF.....	37
9.2.5.3.	EXCHANGE_APDU	37
9.2.5.4.	EXCHANGE_T1_FRAME	38



9.2.6.	Security Application Module (SAM) (**)	38
9.2.6.1.	ACTIVATE_SAM (**)	38
9.2.6.2.	DEACTIVATE_SAM (**)	39
9.2.6.3.	EXCHANGE_SAM_APDU (**)	39
9.2.6.4.	EXCHANGE_SAM_T1_FRAME (**)	40
Appendix A:	Supported Card Types	41
Appendix B:	Response Status Codes	42
Appendix C:	Technical Specifications	43



1.0. Introduction

The ACS Smart Card Reader/Writer ACR30 is an interface for the communication between a computer (for example, a PC) and a smart card. Different types of smart cards have different commands and different communication protocols. This prevents in most cases the direct communication between a smart card and a computer. The ACR30 Reader/Writer establishes a uniform interface from the computer to the smart card for a wide variety of cards. By taking care of the card specific particulars, it releases the computer software programmer of getting involved with the technical details of the smart card operation, which are in many cases not relevant for the implementation of a smart card system.

The ACR30 Smart Card Reader/Writer is connected to the computer through a serial asynchronous interface (RS-232) or USB interface. The reader accepts commands from the computer, carries out the specified function at the smart card and returns the requested data or status information.

NOTE - Although the ACR30 is a true *card reader/writer* as it can read and write smart cards, the terms *card reader* or *reader* will be used indifferently to refer to the ACR30, for the sake of readability and because these designations are commonly in use for this kind of devices.



2.0. Features

- ISO7816-1/2/3 compatible smart card interface
- Supports CPU-based cards with T=0 and/or T=1 protocol
- (*) Supports commonly used memory cards (I2C, SLE4406, SLE4418/28, SLE4432/42)
- Support PPS (Protocol and Parameters Selection) with 9600 – 96000 bps in reading and writing smart cards
- RS-232 interface or USB interface to PC with simple command structure
- Supports memory cards SLE4436 and SLE5536 (firmware 2.10 onwards)
- Security application modules (SAM) inside the reader supporting CPU-based cards with T=0 and/or T=1 protocol (SAM Reader only)

Note (*) – SAM Reader does not support for memory cards



3.0. Supported Card Types

The ACR30 can operate MCU card with T=0 and T=1 protocol. The table presented in Appendix A explains which card type selection value must be specified for the various card types supported by the reader.

3.1. Memory-based smart cards (synchronous interface) (*)

- '104' type EEPROM non-reloadable token counter cards, including:
Gemplus GPM103,
Siemens SLE 4406
Siemens SLE4436 and SLE5536 (firmware 2.10 onwards)
- Cards following the I²C bus protocol (free memory cards) with memory capacity up to 16 Kbit and minimum 4 bytes page write capability, including:
Atmel AT24C01/02/04/08/16
Gemplus GFM2K, GFM4K
SGS-Thomson ST14C02C, 14C04C
- Siemens SLE4432/4442 intelligent 256 bytes EEPROM with write protect function:
SLE 4432, SLE 4442
- Siemens SLE 4418/4428 intelligent 1K bytes EEPROM with write-protect function:
SLE 4418, SLE 4428

NOTE (*) – SAM READER DOES NOT SUPPORT FOR MEMORY-BASED SMART CARD

3.2. Microcontroller-based smart cards (asynchronous interface)

The ACR30 supports EEPROM microcontroller-based cards with internal programming voltage (VPP) generation and the following programming parameters transmitted in the ATR:

PI1 = 0 or 5
I = 25 or 50

The ACR30 performs the Protocol and Parameters Selection (PPS) procedure as specified in *ISO7816-3:1997*.

When the card ATR indicates the specific operation mode (TA₂ present; bit b5 of TA₂ must be 0) and that particular mode is not supported by the ACR30, the reader will reset the card to set it to negotiable mode. If the card cannot be set to negotiable mode, the reader will reject the card.

When the card ATR indicates the negotiable mode (TA₂ not present) and communication parameters other than the default parameters, the ACR30 will execute the PPS and try to use the communication parameters that the card suggested in its ATR. If the card does not accept the PPS, the reader will use the default parameters (F=372, D=1).

For the meaning of the aforementioned parameters, please refer to *ISO7816, part 3*.



4.0. Smart Card Interface

The interface between the ACR30 and the inserted smart card follows the specifications of *ISO7816-3* with certain restrictions or enhancements to increase the practical functionality of the ACR30.

4.1. Smart Card Power Supply VCC (C1)

The current consumption of the inserted card must not be higher than **50mA**.

4.2. Programming Voltage VPP (C6)

According to ISO 7816-3, the smart card contact C6 (VPP) supplies the programming voltage to the smart card. Since all common smart cards in the market are EEPROM based and do not require the provision of an external programming voltage, the contact C6 (VPP) has been implemented as a normal control signal in the ACR30. The electrical specifications of this contact are identical to those of the signal RST (at contact C2).

4.3. Card Type Selection

The controlling PC has to always select the card type through the proper command sent to the ACR30 prior to activating the inserted card. This includes both the memory cards and MCU-based cards. For MCU-based cards the reader allows to select the preferred protocol, T=0 or T=1. However, this selection is only accepted and carried out by the reader through the PPS when the card inserted in the reader supports both protocol types. Whenever an MCU-based card supports only one protocol type, T=0 or T=1, the reader automatically uses that protocol type, regardless of the protocol type selected by the application.

4.4. Interface for Microcontroller-based Cards

For microcontroller-based smart cards only the contacts C1 (VCC), C2 (RST), C3 (CLK), C5 (GND) and C7 (I/O) are used. A frequency of 3.6864 / 4 MHz is applied to the CLK signal (C3).

4.5. Card Tearing Protection

The ACR30 provides a mechanism to protect the inserted card when it is suddenly withdrawn while it is powered up. The power supply to the card and the signal lines between the ACR30 and the card are immediately deactivated when the card is being removed. As a general rule, however, to avoid any electrical damage, **a card should only be removed from the reader while it is powered down.**

NOTE - The ACR30 does never by itself switch on the power supply to the inserted card. This must explicitly be done by the controlling computer through the proper command sent to the reader.



5.0. Power Supply

The ACR30 requires a voltage of 5V DC, 100mA regulated power supply. The ACR30 gets the power supply from PC (through the cable supplied along with each type of reader).

Status LEDs- Green LED on the front of the reader indicates the activation status of the smart card interface.

Green LED - Indicates power supply to the smart card is switched on, i.e., the smart card is activated.



6.0. Serial Interface

The ACR30 is connected to a computer through a serial asynchronous interface following the RS-232 standard.

6.1. Communication Parameters

The following communication parameters are used by the ACR30 and cannot be modified by the host computer:

Transmission protocol	:	serial asynchronous
Parity	:	none
Data Bits	:	8
Stop Bits	:	1

The ACR30 provides two means to select the transmission speed (baud rate) used by the reader in the normal operation, by hardware and/or by software.

6.1.1. Hardware Baud Rate

The default hardware baud rate setting is 9600 bps.

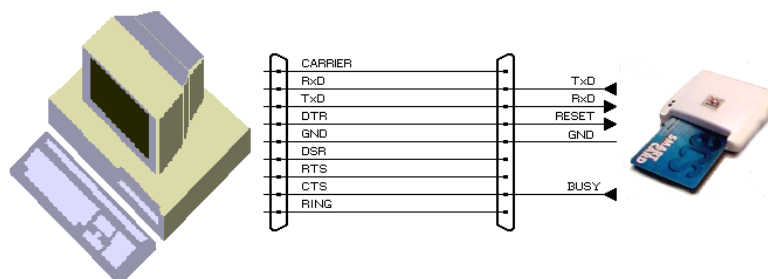
6.1.2. Software Baud Rate Selection

The *SET_PROTOCOL* command allows setting the transmission speed (baud rate) and a delay time inserted between the bytes transmitted by the reader to the PC.

Please note that the setting made with this command is volatile and will be lost when the reader is being reset or powered up next time.

6.2. Interface Wiring

For the communication between the ACR30 and a computer, five lines of the RS-232 interface are used: RxD, TxD, CTS, DTR and GND.





RS-232 Interface Wiring

Pin	PC	Cyber-mouse	Function
2	RxD	TxD	Data transmitted from PC to ACR30.
3	TxD	RxD	Data transmitted from ACR30 to PC.
4	DTR	RESET	RESET input signal. Allows performing hardware reset of the reader module through the RS-232 interface. Applying a logic '1' signal (negative voltage according to the RS-232 convention) to this pin causes a hardware reset of the ACR30.
5	GND	GND	Reference voltage level for power supply and serial interface.
8	CTS	BUSY	CTS (Clear To Send) signal to the PC. Indicates to the PC whether the ACR30 is ready to receive the next command. A logic '0' signal (positive voltage according to the RS-232 convention) is applied to this pin while the ACR30 is executing a command. Only when a '1' signal (negative voltage according to the RS-232 convention) is present at this pin can the PC send a command to the ACR30.

NOTE -Communication problems between the ACR30 and a PC can occur if a 25 pin to 9 pin RS-232 adapter or a cable is used in which not all 9 signal lines are connected. Adapters supplied with computer mouse frequently have not all lines connected. For the correct operation of the reader, use only a 9 pin to 25pin adapter and a serial interface cable in which all 9 signal lines are connected!

NOTE - To prevent any radio interference between the ACR30 and other electrical and electronic equipment, do not use an RS-232 cable longer than 3 meters!



7.0. USB Interface

The ACR30 is connected to a computer through a USB following the USB standard.

7.1. Communication Parameters

The ACR30 is connected to a computer through USB as specified in the USB Specification.

The ACR30 is working in low speed mode, i.e. 1.5 Mbps.

USB Interface Wiring

Pin	Signal	Function
1	V _{BUS}	+5V power supply for the reader
2	D-	Differential signal transmits data between ACR30 and PC.
3	D+	Differential signal transmits data between ACR30 and PC.
4	GND	Reference voltage level for power supply

NOTE - In order for the ACR30 functioning properly through USB interface, either ACS proprietary device drive or ACS PC/SC device driver has to be installed. Please refer to the *Device Driver Installation Guide* for more detail.



8.0. Communication protocol

In the normal operation, the ACR30 acts as a slave device with regard to the communication between a computer and the reader. The communication is carried out in the form of successive command-response exchanges. The computer transmits a command to the reader and receives a response from the reader after the command has been executed. A new command can be transmitted to the ACR30 only after the response to the previous command has been received.

There are two cases where the reader transmits data without having received a command from the computer, namely, the Reset Message of the reader and the Card Status Message.

8.1. Command

Normal Command (Length < 255 bytes)

A command consists of four protocol bytes and a variable number of data bytes and has the following structure:

byte	1	2	3	4 ... N+3 (0<N<255)	N+4
	Header	Instruction	Data length = N	Data	Checksum

- Header** Always 01_H to indicate the start of a command.
- Instruction** The instruction code of the command to be carried out by the ACR30
- Data Length** Number of subsequent data bytes. (0 < N < 255)
- Data** Data contents of the command.
For a READ command, for example, the data bytes would specify the start address and the number of bytes to be read. For a WRITE command, the data bytes would specify the start address and the data to be written to the card.
The data bytes can represent values to be written to a card and/or command parameters such as an address, a counter, etc.
- Checksum** The checksum is computed by XORing all command bytes including header, instruction, data length and all data bytes.

The following example shows the structure of a command with instruction code = 91_H and three data bytes with the values 11_H, 22_H and 33_H, respectively:

byte	1	2	3	4	5	6	7
	01 _H	91 _H	03 _H	11 _H	22 _H	33 _H	93 _H

8.1.1. Extended Command

A command consists of six protocol bytes and a variable number of data bytes and has the following structure:



byte	1	2	3	4	5	6 ... N+5 (N>0)	N+6
	Header	Instruction	Data Length = N		Data		Checksum
			FF _H	Data Length N			

- Header** Always 01_H to indicate the start of a command.
- Instruction** The instruction code of the command to be carried out by the ACR30.
- Data Length** Number of subsequent data bytes, and is encoded in 3 bytes. The first byte is FF_H. The second byte and the third byte represent data length N.
- Data** Data contents of the command.

For a READ command, for example, the data bytes would specify the start address and the number of bytes to be read. For a WRITE command, the data bytes would specify the start address and the data to be written to the card.

The data bytes can represent values to be written to a card and/or command parameters such as an address, a counter, etc.
- Checksum** The checksum is computed by XORing all command bytes including header, instruction, data length and all data bytes.

8.2. Response

The response from the ACR30 to any command depends if the command where received by the reader without error (e.g., checksum error).

8.2.1. No transmission error with normal response (Length < 255 bytes)

The response by the ACR30 to a correctly received command consists of three protocol bytes, two status bytes and a variable number of data bytes and has the following structure:

byte	1	2	3	4	5 ... N+4 (0<N<255)	N+5
	Header	SW1	SW2	Data length = N	Data	Checksum

- Header** Always 01_H to indicate the start of the response.
- SW1** Indicates the command execution status:
 - 90_H = command successfully executed
 - 60_H = error in command data; command cannot be executed
 - 67_H = error detected in command execution
 - FF_H = status message initiated by the reader
- SW2** Further qualification of the command execution status.
A table listing the possible values of the status bytes SW1 and SW2 and the corresponding meaning is given in Appendix B.



Data Length Number of subsequent data bytes ($0 < N < 255$)

Data Data contents of the command.

For a *READ_DATA* command, for example, the data bytes would contain the contents of the memory addresses read from the card. The data bytes can represent values read from the card and/or status information.

Checksum The checksum is computed by XORing all response bytes including header, status bytes, data length and all data bytes.

The following example shows the structure of the response to a command which has successfully been executed and which returns three data bytes with the values 11_H, 22_H and 33_H, respectively:

byte	1	2	3	4	5	6	7	8
	01 _H	90 _H	00 _H	03 _H	11 _H	22 _H	33 _H	92 _H

8.2.2. No transmission error with extended response

The response by the ACR30 to a correctly received command consists of three protocol bytes, two status bytes and a variable number of data bytes and has the following structure:

byte	1	2	3	4	5	6	7 ... N+6 (N>0)	N+7
	Header	SW1	SW2	Data length = N		Data	Checksum	
				FF _H	Data Length N			

Header Always 01_H to indicate the start of the response.

SW1 Indicates the command execution status:

90_H = command successfully executed

60_H = error in command data; command cannot be executed

67_H = error detected in command execution

FF_H = status message initiated by the reader

SW2 Further qualification of the command execution status.

A table listing the possible values of the status bytes SW1 and SW2 and the corresponding meaning is given in Appendix B.

Data Length Number of subsequent data bytes, and is encoded in 3 bytes. The first byte is FF_H. The second byte and the third byte represent data length N.

Data Data contents of the command.

For a *READ_DATA* command, for example, the data bytes would contain the contents of the memory addresses read from the card. The data bytes can represent values read from the card and/or status information.



Checksum The checksum is computed by XORing all response bytes including header, status bytes, data length and all data bytes.

8.2.3. Transmission error

If the receiving party of a command (i.e., the ACR30) or a response (i.e., the computer) detects an error in the data length or the checksum of a command, it disregards the received data and sends a "NOT ACKNOWLEDGE" message to the transmitting party upon completion of the faulty transmission. The "NOT ACKNOWLEDGE" message consists of two bytes:

byte	1	2
	05 _H	05 _H

If the ACR30 responds with a 'NOT ACKNOWLEDGE' message to a command from the computer, the computer would normally transmit the command again. If the computer detects a transmission error in a response from the ACR30, it can send the 'NOT ACKNOWLEDGE' to the reader upon which the reader will transmit the most recent response again.

8.3. Reset Message

A reset of the reader occurs automatically whenever the reader is being powered up. A reset can also be actuated through the RS-232/USB interface. In either case the reader transmits **one time** a Reset Message, which has the same structure as the normal response to a command and the following contents:

byte	1	2	3	4	5	6
	Header	SW1	SW2	Data length	Data	Checksum
	01 _H	FF _H	00 _H	01 _H	BAUD=12 _H	

BAUD Indicates the hardware baud rate setting (default baud rate), which is set to 9600 bps (this is only valid in the RS232 reader).

The reader does not expect an acknowledge signal from the computer. After transmitting the Reset Message the reader is waiting for the first command from the computer.

8.4. Card Status Message

When a card is being inserted into the reader or an inserted card is being removed from the reader while the reader is idle, i.e., not executing a command, the reader transmits a Card Status Message to notify the host computer of the change in the card insertion status.

In a system where these unsolicited messages from the reader to the computer are not desired, they can be disabled with the *SET_NOTIFICATION* command. Please note that the setting made with this command is volatile and will be lost with the next reader reset or power up. By default, the Card Status Message will be transmitted by the reader after a reset.

The Card Status Messages have the following structure and contents:



Card Status Message for Card Insertion

byte	1	2	3	4	5
	Header	SW1	SW2	Data length	Checksum
	01 _H	FF _H	01 _H	00 _H	FF _H

Card Status Message for Card Removal

byte	1	2	3	4	5
	Header	SW1	SW2	Data length	Checksum
	01 _H	FF _H	02 _H	00 _H	FC _H

A card status message is transmitted only **once** for every card insertion or removal event. The reader does not expect an acknowledge signal from the computer. After transmitting a status message, the reader waits for the next command from the computer.

NOTE -If the card is being removed from the reader **while a card command is being executed**, the reader will transmit a normal response to the computer with the response status bytes indicating the card removal during command execution (see *Appendix B: Response Status Codes*).

8.5. Transmission Protocol

The start of a command (to the reader) or a response (from the reader, including the Reset Message and Card Status Messages) is indicated by the respective party through the transmission of the single byte Start-of-Text (STX) character with the value 02_H.

The end of a command or response is indicated through the single byte End-of-Text (ETX) character with the value 03_H.

Within the command and response transmission only ASCII characters representing the hexadecimal (hex) digits 0...F are used. Each byte of a command or response is splitted into its upper and lower halfbyte (nibble). For each halfbyte is transmitted the ASCII character representing the respective hex digit value. For example, to transmit the data byte 3A_H, two bytes are actually sent on the interface, namely, 33_H (ASCII code for '3') followed by 41_H (ASCII code for 'A'):

Data byte value	3A _H	
Transmitted values	33 _H = '3'	41 _H = 'A'

The following example shows the transmission of a command with instruction code A2_H and one data byte with the value 3D_H. The command has the following structure:



byte	1	2	3	4	5
	Header	Instructio n	Data length	Data	Checksu m
	01 _H	A2 _H	01 _H	3D _H	9F _H

This command is transmitted on the serial interface in 12 bytes as follows:

byte	1	2	3	4	5	6	7	8	9	10	11	12
	STX	'0'	'1'	'A'	'2'	'0'	'1'	'3'	'D'	'9'	'F'	ETX
	02 _H	30 _H	31 _H	41 _H	32 _H	30 _H	31 _H	33 _H	44 _H	39 _H	46 _H	03 _H

For the representation of the hex halfbyte values as the corresponding ASCII characters in commands, the ACR30 accepts both upper case characters 'A' ... 'F' (41_H ... 46_H) and lower case characters 'a' ... 'f' (61_H ... 66_H):

byte	1	2	3	4	5	6	7	8	9	10	11	12
	STX	'0'	'1'	'A'	'2'	'0'	'1'	'3'	'D'	'9'	'F'	ETX
	02 _H	30 _H	31 _H	41 _H	32 _H	30 _H	31 _H	33 _H	44 _H	39 _H	46 _H	03 _H

... is equivalent to:

byte	1	2	3	4	5	6	7	8	9	10	11	12
	STX	'0'	'1'	'a'	'2'	'0'	'1'	'3'	'd'	'9'	'f'	ETX
	02 _H	30 _H	31 _H	61 _H	32 _H	30 _H	31 _H	33 _H	64 _H	39 _H	66 _H	03 _H

In its response messages, the ACR30 uses upper case characters 'A' ... 'F'.



9.0. Commands

The commands executed by the ACR30 can generally be divided into two categories, namely, Control Commands and Card Commands.

Control Commands control the internal operation of the ACR30. They do not directly affect the card inserted in the reader and are therefore independent of the selected card type.

Card Commands are directed toward the card inserted in the ACR30. The structure of these commands and the data transmitted in the commands and responses depend on the selected card type.

9.1. Control Commands

9.1.1. GET_ACR_STAT

This command returns relevant information about the particular ACR30 model and the current operating status, such as, the firmware revision number, the maximum data length of a command and response, the supported card types, and whether a card is inserted and powered up.

Command format

Instruction Code	Data length
01 _H	00 _H

Response data format

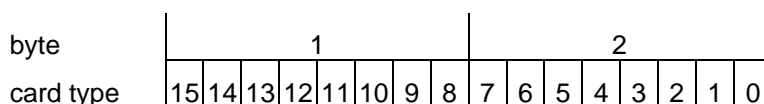
INTERNAL	MAX_C	MAX_R	C_TYPE	C_SEL	C_STAT

INTERNAL 10 bytes data for internal use only

MAX_C The maximum number of command data bytes.

MAX_R The maximum number of data bytes that can be requested to be transmitted in a response.

C_TYPE The card types supported by the ACR30. This data field is a bitmap with each bit representing a particular card type. A bit set to '1' means the corresponding card type is supported by the reader and can be selected with the *SELECT_CARD_TYPE* command. The bit assignment is as follows:



See Appendix A for the correspondence between these bits and the respective card types.



C_SEL The currently selected card type as specified in a previous *SELECT_CARD_TYPE* command. A value of 00_H means that no card type has been selected.

C_STAT Indicates whether a card is physically inserted in the reader and whether the card is powered up:

00_H : no card inserted

01_H : card inserted, not powered up

03_H : card powered up

9.1.2. SET_PROTOCOL

This command is used to control the line speed of the communication channel between ACR30 reader and host device. The line speed of the communication is controlled by two factors, namely, the Delay Factor and the Baud Rate.

Command format

Instruction Code	Data length	Data
		DELAY N
03 _H	01 _H	

to change only the Delay Factor (for RS232 reader only), or

Instruction Code	Data length	Data	
		DELAY N	BAUD RATE
03 _H	02 _H		

to change the Delay Factor and the Baud Rate (for RS232 reader only).

DELAY Determines the time delay inserted by the ACR30 between two consecutive bytes sent in order to adapt to slower host system speeds. The time delay is given by $N * 0.1\text{msec}$, with N ranging from 0 ... 255 (00 - FF_H). The default value is N = 0 (delay changes only valid on RS232 reader).



BAUD RATE Selects the baud rate (bps) of the serial interface between reader and host system. The default hardware baud rate is 9600 bps. (baud rate changes only valid on RS232 reader).

<u>BAUD RATE</u>	<u>Serial baud rate (bps)</u>
12 _H	9600
11 _H	19200
10 _H	38400
03 _H	14400
02 _H	28800
01 _H	57600
00 _H	115200

Response data format

No response data

The new protocol becomes effective by the completion of the *SET_PROTOCOL* command, immediately **after the ACR30 has sent out the response string to the SET_PROTOCOL command.**

9.1.3. SELECT_CARD_TYPE

This command sets the required card type. The firmware in the ACR30 adjusts the communication protocol between reader and the inserted card according to the selected card type.

Command format

Instruction Code	Data length	Data
		TYPE
02 _H	01 _H	

TYPE See Appendix A for the value to be specified in this command for a particular card to be used.

Response data format

No response data

9.1.4. RESET

This section describes the *RESET* command only for the case when no card type is selected or when the card type 00_H is selected. For all other cases, please refer to the specific section described for each individual card type.



Command format

Instruction Code	Data length
80 _H	00 _H

Response data format

ATR			

ATR The answer-to-reset string returned by the card.

The return status code for this command is 90 00_H when the inserted card is a T=0 card, 90 01_H when the inserted card is a T=1 card, and 90 10_H when the inserted card is a memory card; otherwise the status code is 60 20_H.

9.1.5. SET_NOTIFICATION

This command disables / enables the Card Status Messages transmitted by the reader to notify the host computer of the insertion or removal of a card.

Command format

Instruction Code	Data length	Data
		NOTIFY
06 _H	01 _H	

NOTIFY Specifies whether the Card Status Message shall be transmitted to notify the host computer of card insertion / removal

01_H : transmit Card Status Message

02_H : do not transmit Card Status Message

Response data format

No response data

9.1.6. SET_OPTION

This command selects the options for the reader.

Command format

Instruction Code	Data length	Data
		Option
07 _H	01 _H	



- Option** Bit 0 (LSB bit): Select for PPS mode
 Specifies reader ↔ card communication speed
 0 : baud rate to/from the card is from 9600 bps to 96000 bps (default)
 1 : baud rate to/from the card is at 9600 bps only
- Bit 4 : Select for EMV mode
 Specifies whether the reader is in EMV mode
 0 : reader not in EMV mode (default)
 1 : reader in EMV mode
- Bit 2, 3, 5, 6 and 7
 Reserved

Response data format

No response data

9.2. Card Commands

The available commands and the parameters specified in the card commands as well as the data transmitted in the response from the ACR30 depend on the selected card type.

'104' - type non-reloadable Token Counter Cards (*)

9.2.1.1. RESET (*)

This command powers up the card inserted in the card reader and performs a card reset.

If the card is powered up when the command is being issued, only a reset of the card is carried out; the power supply to the card is not switched off.

Command format

Instruction Code	Data length
80 _H	00 _H

Response data format

ATR			

ATR Four bytes Answer-To-Reset read from the card.

The ATR bytes are read from the card with LSB first, i.e., the first bit read from the card is the LSB of the first ATR byte.



9.2.1.2. POWER_OFF (*)

This command powers off the card inserted in the card reader.

Command format

Instruction Code	Data length
81 _H	00 _H

Response data format

No response data

9.2.1.3. READ_DATA (*)

To read the specified number of bytes from the specified address of the card inserted. The bytes are read from the card with LSB first, i.e., the bit at card address 0 is regarded as the LSB of byte 0.

Command format

Instruction Code	Data length	Data		
			ADDR	LEN
90 _H	03 _H	00 _H		

ADDR Byte address of first byte to be read from the card

LEN Number N of data bytes to be read from the card

(0 < N ≤ MAX_R)

Response data format

BYT E 1	BYT E 2	BYT E 3	BYT E N

BYTE x Data bytes read from the card memory

9.2.1.4. WRITE_DATA (*)

To write one byte to the specified address of the card inserted. The byte is written to the card with LSB first, i.e., the bit at card address 0 is regarded as the LSB of byte 0.

Two different WRITE modes are available for this card type, which are distinguished by a flag in the command data field:

a) Write

The byte value specified in the command is written to the specified address. This command can be used for writing personalization data and counter values to the card.



b) Write with carry

The byte value specified in the command is written to the specified address and the command is sent to the card to erase the next lower counter stage. This write-mode can therefore only be used for updating the counter value in the card.

With either write mode, the byte at the specified card address is not erased prior to the write operation and, hence, memory bits can only be programmed from '1' to '0'.

The backup mode available in the SLE4436 card can be enabled or disabled in the write operation.

Command format

Instruction Code	Data length	Data			
			ADDR	MODE	BYTE
91 _H	04 _H	00 _H			

ADDR Byte address of byte to be written

MODE Specifies the write mode and backup option (SLE4436)

00_H : write

01_H : write with carry

02_H : write with backup enabled

03_H : write with carry and with backup enabled

BYTE Byte value to be written to the card

Response data format

No response data

9.2.1.5. PRESENT_TRANSPORT_CODE (*)

To submit the transport code to the card in order to enable the card personalization mode. The following actions are executed by the ACR30:

- search a '1' bit in the presentation counter and write the bit to '0'
- present the specified code to the card

The ACR30 does not try to erase the presentation counter after the code submission! The application software through a separate 'Write with carry' command must do this.



Command format

Instruction Code	Data length	Data					
	LEN	ADDR	BYTE 1	BYTE 2	BYTE N
92 _H							

- LEN** Number of transport code bytes, N, + 1
- ADDR** Byte address of the presentation counter in the card
- BYTE x** Transport code

Response data format

No response data

9.2.1.6. AUTHENTICATE_CARD_SLE4436 (firmware 2.10 onwards) (*)

To read a card authentication certificate from SLE4436 card. The following actions are executed by the ACR30:

- select Key 1 or Key 2 in the card as specified in the command
- present the challenge data specified in the command to the card
- generate the specified number of CLK pulses for each bit of authentication data computed by the card
- read 16 bits of authentication data from the card
- reset the card to normal operation mode

The ACR30 returns the 16 bits of authentication data calculated by the card in the response.

Command format

Instruction Code	Data length	Data					
		KEY	CLK_CNT	BYTE 1	BYTE 6
96 _H	08 _H						

- KEY** Key to be used for the computation of the authentication certificate:
 00_H : key 1
 01_H : key 2
- CLK_CNT** Number of CLK pulses to be supplied to the card for the computation of each bit of the authentication certificate.
- BYTE 1...6** Card challenge data



Response data format

CERT	

CERT 16 bits of authentication data computed by the card. The LSB of BYTE 1 is the first authentication bit read from the card.

9.2.1.7. AUTHENTICATE_CARD_SLE5536 (firmware 2.10 onwards) (*)

To read a card authentication certificate from SLE5536 card. The following actions are executed by the ACR30:

- select Key 1 or Key 2 in the card as specified in the command
- present the challenge data specified in the command to the card
- generate the specified number of CLK pulses for each bit of authentication data computed by the card
- read 16 bits of authentication data from the card
- reset the card to normal operation mode

The ACR30 returns the 16 bits of authentication data calculated by the card in the response.

Command format

Instruction Code	Data length	Data					
		KEY	CLK_CNT	BYTE 1	BYTE 6
96 _H	08 _H						

KEY Key to be used for the computation of the authentication certificate:

- 00_H : key 1 with no cipher block chaining
- 01_H : key 2 with no cipher block chaining
- 80_H : key 1 with cipher block chaining
- 81_H : key 2 with cipher block chaining

CLK_CNT Number of CLK pulses to be supplied to the card for the computation of each bit of the authentication certificate.

BYTE 1...6 Card challenge data

Response data format

CERT	

CERT 16 bits of authentication data computed by the card. The LSB of BYTE 1 is the first authentication bit read from the card.

Note (*) – SAM Reader does not support for memory cards



9.2.2. I2C-Bus cards (standard and extended addressing) (*)

9.2.2.1. RESET (*)

This command powers up the card inserted in the card reader. No action is taken if the card is powered up when the command is being issued.

Command format

Instruction Code	Data length
80 _H	00 _H

Response data format

No response data

9.2.2.2. POWER_OFF (*)

This command powers off the card inserted in the card reader.

Command format

Instruction Code	Data length
81 _H	00 _H

Response data format

No response data

9.2.2.3. READ_DATA (*)

To read the specified number of bytes from the specified address of the card inserted.

Command format

Instruction Code	Data length	Data		
		ADDR	LEN	
90 _H	03 _H			

ADDR Byte address of first byte to be read from the card. The high byte of the address is specified as the first byte of ADDR.

LEN Number N of data bytes to be read from the card
(0 < N ≤ MAX_R)



Response data format

BYTE 1	BYTE 2	BYTE 3	BYTE N

BYTE x Data bytes read from the card memory

9.2.2.4. WRITE_DATA (*)

To write the specified data bytes to the specified address of the card inserted.

Command format

Instruction Code	Data length	Data				
	LEN	ADDR	BYTE 1	BYTE N
91 _H						

LEN Number of data bytes to be written to the card, N, + 2

ADDR Byte address in the card of the first byte to be written. The high byte of the address is specified as the first byte of ADDR.

BYTE x Byte values to be written to the card starting at address ADDR. BYTE 1 is written to address ADDR; BYTE N is written to address ADDR+N-1.

Response data format

No response data

Note (*) – SAM Reader does not support for memory cards

9.2.3. Siemens SLE 4432/4442 intelligent 256 Byte Memory Card (*)

9.2.3.1. RESET (*)

This command powers up the card inserted in the card reader and performs a card reset.

If the card is powered up when the command is being issued, only a reset of the card is carried out, the power supply to the card is not switched off.



Command format

Instruction Code	Data length
80 _H	00 _H

Response data format

ATR			

ATR Four bytes Answer-To-Reset read from the card.

The ATR bytes are read from the card with LSB first, i.e., the first bit read from the card is the LSB of the first ATR byte.

9.2.3.2. POWER_OFF (*)

This command powers off the card inserted in the card reader.

Command format

Instruction Code	Data length
81 _H	00 _H

Response data format

No response data

9.2.3.3. READ_DATA (*)

To read the specified number of bytes from the specified address of the card inserted.

Command format

Instruction Code	Data length	Data	
		ADDR	LEN
90 _H	03 _H		

ADDR Byte address of first byte to be read from the card. The high byte of the address is specified as the first byte of ADDR.

LEN Number N of data bytes to be read from the card ($0 < N \leq \text{MAX_R}$)

Response data format

BYTE 1	BYTE 2	BYTE 3	...	BYTE N	PROT 1	...	PROT L

BYTE x Data bytes read from the card memory

PROT y Bytes containing the protection bits of the data bytes read (0...4 bytes)



The protection bits are only returned in the response data if the start address ADDR specified in the command is $< 20_H$, i.e., it is lying within the first 32 bytes of card memory which can be write protected.

Accordingly, the number of PROT bytes returned depends on how many of the data bytes read lie within the protectable area. If all data bytes read are outside the protectable area, only the data bytes read from the card are returned in the response, no PROT bytes are returned.

The arrangement of the protection bits in the PROT bytes is as follows:

PROT 1								PROT 2																						
P8	P7	P6	P5	P4	P3	P2	P1	P16	P15	P14	P13	P12	P11	P10	P9	P17	P16	P15	P14	P13	P12	P11	P10

Px is the protection bit of BYTE x in the response data

'0' : byte is write protected

'1' : byte can be written

9.2.3.4. WRITE_DATA (*)

To write the specified data bytes to the specified address of the card inserted.

Command format

Instruction Code	Data length	Data					
	LEN	ADDR	BYTE 1	BYTE N	
91 _H							

LEN Number of data bytes to be written to the card, N, + 2

ADDR Byte address in the card of the first byte to be written. The high byte of the address is specified as the first byte of ADDR.

BYTE x Byte values to be written to the card starting at address ADDR. BYTE 1 is written to address ADDR; BYTE N is written to address ADDR+N-1.

Response data format

No response data

9.2.3.5. WRITE_PROTECTION (*)

To write the protection bits for the specified addresses in the card.

Each of the bytes specified in the command is internally in the card compared with the byte stored at the specified address and if the data match, the corresponding protection bit is irreversibly programmed to '0'.



Command format

Instruction Code	Data length	Data					
	LEN	ADDR	BYTE 1	BYTE N	
94 _H							

- LEN** Number of data bytes to be write protected, N, + 2
- ADDR** Byte address in the card of the first byte to be write protected. The high byte of **the address is specified as the first byte of ADDR.**
- BYTE x** Byte values to be compared with the data in the card starting at address ADDR. BYTE 1 is compared with the data at address ADDR; BYTE N is compared with the data at address ADDR+N-1.

Response data format

No response data

9.2.3.6. PRESENT_CODE (only SLE 4442) (*)

To submit the secret code to the card to enable the write operation with the SLE 4442 card.

The following actions are executed by the ACR30:

- search a '1' bit in the presentation error counter and write the bit to '0'
- present the specified code to the card
- try to erase the presentation error counter

Command format

Instruction Code	Data length	Data		
		CODE		
92 _H	03 _H			

CODE Three bytes secret code (PIN)

Response data format

ERRCNT	CODE		

ERRCNT The value of the presentation error counter after the code presentation.

CODE The three bytes secret code read from the card.

If the correct code has been presented to the card, the value of ERRCNT is 07_H and the value of CODE is identical to the code data specified in the command.



9.2.3.7. CHANGE_CODE (only SLE 4442) (*)

To write the specified data as new secret code in the card.

The current secret code must have been presented to the card with the *PRESENT_CODE* command prior to the execution of this command!

Command format

Instruction Code	Data length	Data		
		CODE		
93 _H	03 _H			

CODE The three bytes new secret code (PIN)

Response data format

No response data

Note (*) – SAM Reader does not support for memory cards

9.2.4. Siemens SLE 4418/4428 intelligent 1K Byte Memory Card (*)

9.2.4.1. RESET (*)

This command powers up the card inserted in the card reader and performs a card reset.

If the card is powered up when the command is being issued, only a reset of the card is carried out, the power supply to the card is not switched off.

Command format

Instruction Code	Data length
80 _H	00 _H

Response data format

ATR			

ATR Four bytes Answer-To-Reset read from the card.

The ATR bytes are read from the card with LSB first, i.e., the first bit read from the card is the LSB of the first ATR byte.

9.2.4.2. POWER_OFF (*)

This command powers off the card inserted in the card reader.



Command format

Instruction Code	Data length
81 _H	00 _H

Response data format

No response data

9.2.4.3. READ_DATA (*)

To read the specified number of bytes from the specified address of the card inserted.

Command format

Instruc tion Code	Data length	Data		
		ADDR		LEN
90 _H	03 _H			

ADDR Byte address of first byte to be read from the card. The high byte of the address is specified as the first byte of ADDR.

LEN Number N of data bytes to be read from the card (Len < 224 bytes)

Response data format

BYTE 1	BYTE 2	BYTE 3	...	BYTE N	PROT 1	...	PROT L

BYTE x Data bytes read from the card memory

PROT y Bytes containing the protection bits of the data bytes read (1...4 bytes)

The number L of protection bytes returned in the response is determined by the number N of data bytes read from the card as follows:

$$L = 1 + \text{INT}(N/8) \quad \text{if } N \text{ is not multiplies of } 8$$

$$L = \text{INT}(N/8) \quad \text{if } N \text{ is multiplies of } 8$$

The arrangement of the protection bits in the PROT bytes is as follows:

PROT 1								PROT 2																							
P ₈	P ₇	P ₆	P ₅	P ₄	P ₃	P ₂	P ₁	P ₁	P ₁	P ₁	P ₁	P ₁	P ₁	P ₁	P ₁	P ₉	P ₁	P ₁						
								6	5	4	3	2	1	0																	8	7

P_x is the protection bit of BYTE x in the response data



'0' : byte is write protected

'1' : byte can be written

9.2.4.4. WRITE_DATA (*)

To write the specified data bytes to the specified address of the card inserted.

Command format

Instruction Code	Data length	Data					
	LEN	ADDR	BYTE 1	BYTE N	
91 _H							

LEN Number of data bytes to be written to the card, N, + 2

ADDR Byte address in the card of the first byte to be written. The high byte of the address is specified as the first byte of ADDR.

BYTE x Byte values to be written to the card starting at address ADDR. BYTE 1 is written to address ADDR; BYTE N is written to address ADDR+N-1.

Response data format

No response data

9.2.4.5. WRITE_PROTECTION (*)

To write the protection bits for the specified addresses in the card.

Each of the bytes specified in the command is internally in the card compared with the byte stored at the specified address and if the data match, the corresponding protection bit is irreversibly programmed to '0'.

Command format

Instruction Code	Data length	Data					
	LEN	ADDR	BYTE 1	BYTE N	
94 _H							

LEN Number of data bytes to be write protected, N, + 2

ADDR Byte address in the card of the first byte to be write protected. The high byte of the address is specified as the first byte of ADDR.

BYTE x Byte values to be compared with the data in the card starting at address ADDR. BYTE 1 is compared with the data at address ADDR; BYTE N is compared with the data at address ADDR+N-1.

Response data format

No response data



9.2.4.6. PRESENT_CODE (only SLE 4428) (*)

To submit the secret code to the card to enable the write operation with the SLE 4442 card.

The following actions are executed by the ACR30:

- search a '1' bit in the presentation error counter and write the bit to '0'
- present the specified code to the card
- try to erase the presentation error counter

Command format

Instruction Code	Data length	Data	
		CODE	
92 _H	02 _H		

CODE Two bytes secret code (PIN)

Response data format

ERRCNT	CODE	

ERRCNT The value of the presentation error counter after the code presentation.

CODE The two bytes secret code read from the card.

If the correct code has been presented to the card, the value of ERRCNT is FF_H and the value of CODE is identical to the code data specified in the command.

Note (*) – SAM Reader does not support for memory cards

9.2.5. MCU-based Card

9.2.5.1. RESET

This command powers up the card inserted in the card reader and performs a card reset. If the card is powered up when the command is being issued, only a reset of the card is carried out. The power supply to the card is not switched off.

Command format

Instruction Code	Data length
80 _H	00 _H



Response data format

ATR					

ATR Answer-To-Reset as transmitted by the card according to ISO7816-3.

NOTE - The ATR is only returned in the ACR30 response if the communication protocol of the card is compatible with the reader, i.e., if the card can be processed by the ACR30. Otherwise, the ACR30 returns an error status and deactivates the smart card interface.

9.2.5.2. POWER_OFF

This command powers off the card inserted in the card reader.

Command format

Instruction Code	Data length
81 _H	00 _H

Response data format

No response data

9.2.5.3. EXCHANGE_APDU

To exchange an APDU (Application Protocol Data Unit) command/response pair between the MCU card inserted in the ACR30 and the host computer.

Command format

Instruction Code	Data length	Data										
	LEN	CLA	INS	P1	P2	Lc	BYTE 1	...2	...	BYT E N	Le	
A0 _H												

LEN Length of APDU command data, N, + 6 (0 < N ≤ MAX_R)

CLA APDU instruction class byte

INS APDU instruction

P1 APDU parameter byte 1

P2 APDU parameter byte 2

Lc APDU command data length

BYTE x APDU command data

Le Expected APDU response data length (Le = 0 means no data is expected from the card)

NOTE - With the T=0 communication protocol it is not possible to transmit data to the card and from the card in a single command-response pair. Hence, only either Lc or Le can be greater than 0 in an *EXCHANGE_APDU* command when a T=0 card is in the reader. If both parameters have a value greater than 0, the ACR30 does not execute the command and returns an error status.



Response data format

BYT E 1	BYT E N	SW1	SW2

BYTE x Response data from card (if any)

SW1, SW2 Status code returned by the card.

9.2.5.4. EXCHANGE_T1_FRAME

To exchange an APDU (Application Protocol Data Unit) command/response pair between the MCU card inserted in the ACR30 and the host computer using T1 protocol.

Command format

Instruction Code	Data length	Data
	LEN	T1 BLOCK FRAME
A1 _H		

LEN Length of APDU command data, N

DATA T1 Block frame to be sent to the card

Response data format

BYTE 1	BYTE N

BYTE x Response T1 Block from card (if any)

9.2.6. Security Application Module (SAM) (**)

9.2.6.1. ACTIVATE_SAM (**)

To power up and reset the specified SAM and transmit the SAM's ATR in the response.

Command format

Instruction Code	Data length	Data
		SM#
88 _H	01 _H	

SM# Must be 0; reserve for future use



Response data format

ATR					

ATR Answer-To-Reset as transmitted by the card according to ISO7816-3.

NOTE - The ATR is only returned in the ACR30 response if the communication protocol of the SAM is compatible with the reader, i.e., if the SAM can be processed by the ACR30. Otherwise, the ACR30 returns an error status and deactivates the SAM.

9.2.6.2. DEACTIVATE_SAM (**)

This command powers off the SAM

Command format

Instruction Code	Data length
89 _H	00 _H

Response data format

No response data

9.2.6.3. EXCHANGE_SAM_APDU (**)

To exchange an APDU (Application Protocol Data Unit) command/response pair between the SAM card inserted in the ACR30 and the host computer.

Command format

Instruction Code	Data length	Data										
	LEN	CLA	INS	P1	P2	Lc	BYTE 1	...2	...	BYT E N	Le	
B0 _H												

LEN Length of APDU command data, N, + 6 (0 < N ≤ MAX_R)

CLA APDU instruction class byte

INS APDU instruction

P1 APDU parameter byte 1

P2 APDU parameter byte 2

Lc APDU command data length

BYTE x APDU command data

Le Expected APDU response data length (Le = 0 means no data is expected from the card)



NOTE - With the T=0 communication protocol it is not possible to transmit data to the card and from the card in a single command-response pair. Hence, only either Lc or Le can be greater than 0 in an *EXCHANGE_SAM_APDU* command when a T=0 card is in the reader. If both parameters have a value greater than 0, the ACR30 does not execute the command and returns an error status.

Response data format

BYT E 1	BYT E N	SW1	SW2

BYTE x Response data from card (if any)

SW1, SW2 Status code returned by the card.

9.2.6.4. EXCHANGE_SAM_T1_FRAME (**)

To exchange an APDU (Application Protocol Data Unit) command/response pair between the SAM card inserted in the ACR30 and the host computer using T1 protocol.

Command format

Instructi on Code	Data length	Data
	LEN	T1 BLOCK FRAME
B1 _H		

LEN Length of APDU command data, N

DATA T1 Block frame to be sent to the card

Response data format

BYT E 1	BYT E N

BYTE x Response T1 Block from card (if any)

Note ()** – SAM Reader only



Appendix A: Supported Card Types

The following table summarizes which values must be specified in the *SET_CARD_TYPE* command for a particular card type to be used, and how the bits in the response to the *GET_ACR_STAT* command correspond with the respective card types.

Cyber-mouse card type code	Card Type
00_H	Auto-select T=0 or T=1 communication protocol
01_H (*)	GPM103, SLE4406 SLE4436, SLE5536 (firmware 2.10 onwards)
02_H (*)	I2C
05_H (*)	SLE4418, SLE4428
06_H (*)	SLE4432, SLE4442
0C_H	MCU-based cards with T=0 communication protocol
0D_H	MCU-based cards with T=1 communication protocol
C0_H (**)	SAM cards with T=0 communication protocol (SAM Reader only)
D0_H (**)	SAM cards with T=1 communication protocol (SAM Reader only)

Note (*) – SAM Reader does not support for memory cards.

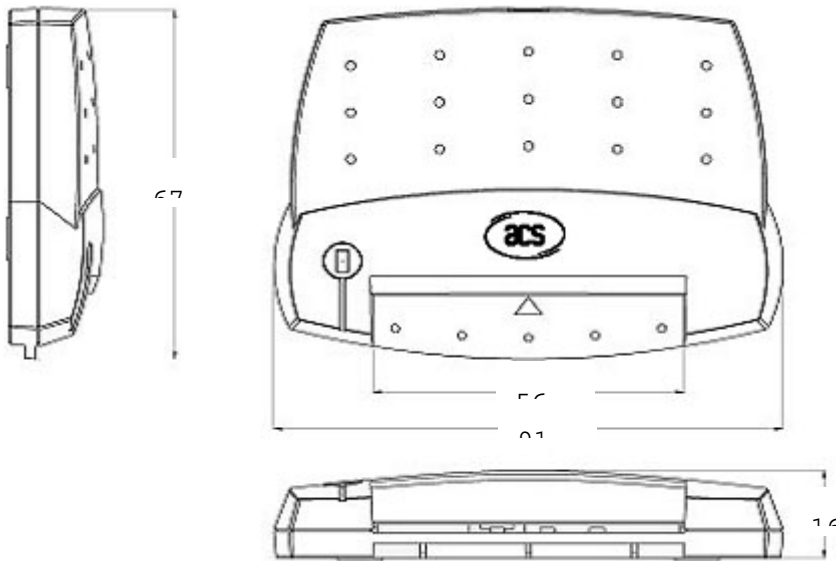
Note () – SAM Reader only**



Appendix B: Response Status Codes

The following table summarizes the possible status code bytes SW1, SW2 returned by the ACR30:

SW1	SW2	Status
90	00	OK – command successfully executed
90	01	OK – using T=1 protocol (only in response to the RESET command)
90	10	OK – synchronous protocol is used (only in response to the RESET command). The exact card type should be selected by using the SELECT_CARD_TYPE command.
60	01	No card type selected
60	02	No card in reader
60	03	Wrong card type specified
60	04	Card not powered up; This status code is also returned in a response if the card was temporarily removed during a card access.
60	05	Invalid Instruction Code
60	20	Card failure
60	22	Short circuit at card connector
62	01	Secret code verify failed
67	01	Command incompatible with card type
67	02	Card address error
67	03	Data length error
67	04	Invalid length of response (with READ command)
67	05	Secret code locked
67	12	APDU command aborted (only MCU-based card using T=1 protocol); the command abortion may be caused by a card internal failure.



Appendix C: Technical Specifications

Device

ACR30 Smart Card Reader/Writer

Power supply

Supply voltage..... Regulated 5V DC

Supply current..... < 100mA (without smart card)

Serial Communication Interface

Type..... RS-232C, five lines: RxD, TxD, CTS, DTR, GND

Power source From PS/2 mouse interface

Speed..... 9600 – 115200 bps

Universal Serial Bus Interface

Power source From USB

Speed..... 1.5 Mbps (Low Speed)

Smart Card Interface

Standard ISO 7816 1/2/3, T=0 and T=1

Supply current..... max. 50mA

Smart card read / write speed 9600 – 96000 bps

Short circuit protection +5V / GND on all pins

The presence of the smart card power supply voltage is indicated through a green LED on the reader

CLK frequency 3.6864 / 4 MHz

Card connector..... sliding contacts (8 contacts)

Card insertion cycles..... min. 100,000

Physical Specifications

Dimensions 67.0mm (L) x 91.6mm (W) x 16.9mm (H)

Color Transparent Blue



Weight 85g (± 5g allowance for cable) – Cyberfrog casing
Cable length, cord, connector 1.5 meters, Fixed (non-detachable), USB A / RS-232C

Operating Conditions

Temperature 0 - 50° C
Humidity 40% - 90%

Standard/Certifications

EMV Level 1, ISO7816-1/2/3, PC/SC, CE, FCC, NETS, Microsoft WHQL 98, ME, 2K, NT 4.0 (Serial), XP

OS

Windows 98, ME, 2K, NT (Serial), XP

OEM

OEM-Logo possible, customer-specific colors, casing and card connector

Note: This device complies with Part 15 of the FCC Rules. Operation is subject to the following two conditions: (1) This device may not cause harmful interference, and (2) This device must accept any interference received, including interference that may cause undesired operation.

Warning: Changes or modifications to this unit not expressly approved by the party responsible for compliance could void the user’s authority to operate the equipment.

NOTE: This equipment has been tested and found to comply with the limits for a Class B digital device, pursuant to Part 15 of the FCC Rules. These limits are designed to provide reasonable protection against harmful interference in a residential installation. This equipment generates, uses and can radiate radio frequency energy and, if not installed and used in accordance with the instructions, may cause harmful interference to radio communications.

However, there is no guarantee that interference will not occur in a particular installation. If this equipment does cause harmful interference to radio or television reception, which can be determined by turning the equipment off and on, the user is encouraged to try to correct the interference by one or more of the following measures:

- Reorient or relocate the receiving antenna.
- Increase the separation between the equipment and receiver.
- Connect the equipment into an outlet on a circuit different from that to which the receiver is needed.
- Consult the dealer or an experienced radio/TV technician for help.

USA Responsible Party

Advanced Card Systems Ltd. (USA Office)
160 Arbor Court
San Bruno,
CA 94066-2615
USA
Tel: 1-650-225-0590
Fax: 1-650-873-1815